



Protection - Control - Identification - Tracking - Rfid solutions

www.leghorngroup.in

General presentation

**Neptune seal: Container
bolt lock seal
ISO 17712:2013**



Made by LeghornGroup



Neptune seal: ISO 17712:2013 Container bolt lock seal

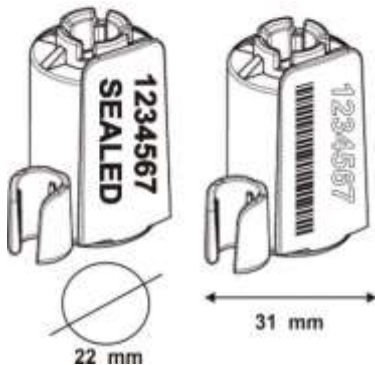
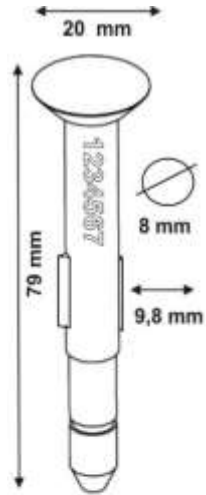
SPECIFICATIONS:

NEPTUNESEAL is a bolt seal, compliant with high security international standard ISO 17712:2013 and specifically with the requirement of having the internal metal part exceeding 18 mm. The patent pending innovative mechanical design is characterized by two metal tabs attached to the bolt, which securely slot into the locking channel, thus preventing any breaching by high speed spinning of the female part of the seal. Any tampering attempt will give evidence of irreparable damage onto the bolt lock seal.

Any Tampering attempt will damage the seal leaving it irreparable.



Photos and drawings are indicative



PRINTING AND NUMBERING:

LASER printing. Sequential numbering up to 15 digits. Barcode option
Data Matrix option. RFID option. Customisation up to 20 characters on one
line. Customer logo on request. For substantial orders it's possible to
recreate . Company logo in relief

MATERIAL:

Plastic parts: Polystyrene with pigment paint compliant with safety
requirement of RoHS – *Restriction of Hazardous Substances*, European
Directive 2002/EC.

CERTIFICATES:

Compliant with ISO 17712:2013 HSS (high security seal)
ISO/PAS 17025 LAB APPROVED

PACKAGING: 250 pcs per box. Box size : 39x19x16cm. Box weight: 13,3 kg

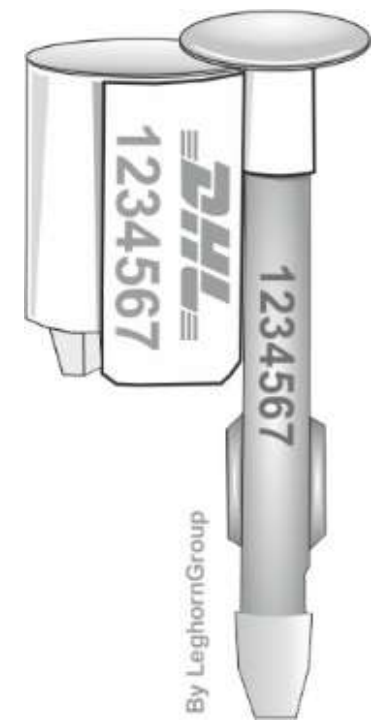
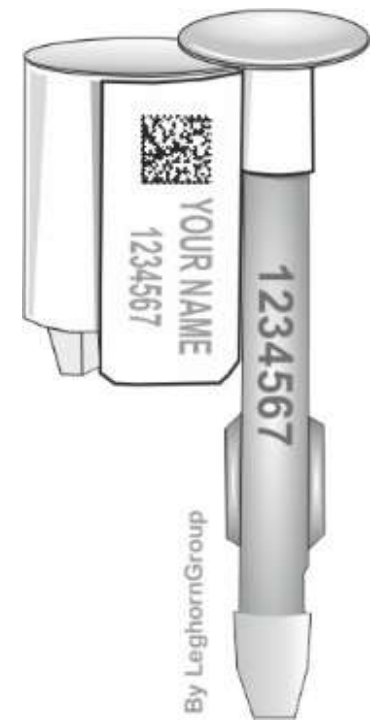
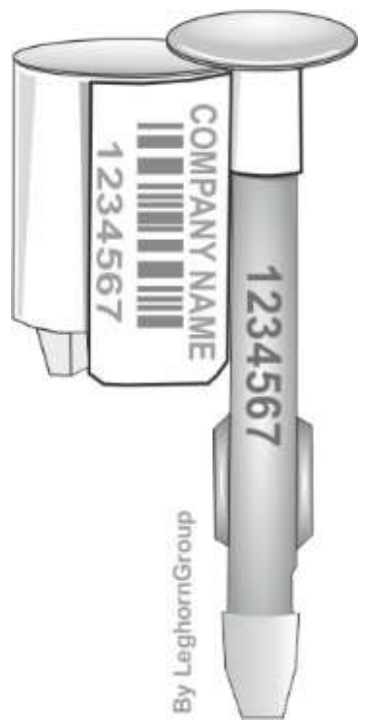
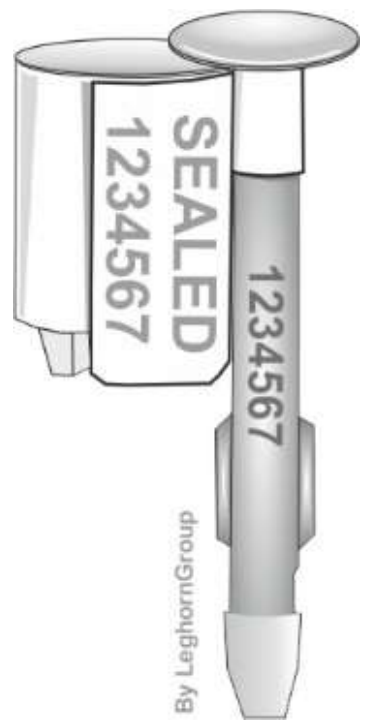
Photos and drawings are indicative

Neptune seal: ISO 17712:2013 Colors examples



Photos and drawings are indicative

Neptune seal: ISO 17712:2013 Customizations examples



Photos and drawings are indicative

Neptune seal: ISO 17712:2013. NEEDED CERTIFICATES (1/2)



Product certificate attesting its compliance to the specification of the standard ISO 17712:2013. (Dayton Brown)

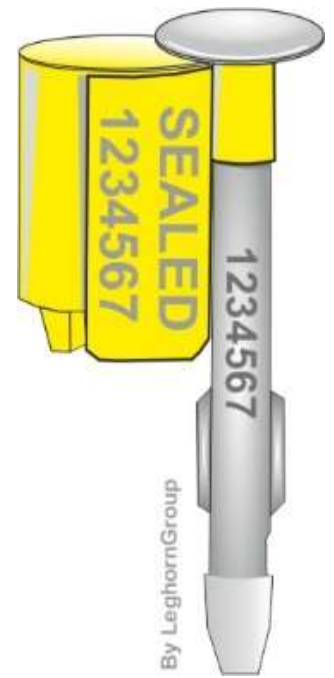
This certificate applies only to the product and is issued by ISO 17025 qualified laboratories.



Certificate of Conformance For Freight Container Mechanical Seal Testing ISO 17712:2013.



Neptune seal: ISO 17712:2013. NEEDED CERTIFICATES (2/2)



Declaration of an International Certification Body (e.g. SGS) certifying that the seal manufacturer has adopted best practices that ensure the compliance of the seal itself to the conditions set in Clause 6 of the standard ISO 17712:2013.

Certification of the seal manufacturer's Quality System in compliance with UNI EN ISO 9001:2015.



Please ask for ISO 17712:2013 Certifications catalog. Code 7401-A508

Photos and drawings are indicative

How to use










Fully plastic covered security seals duplicated in 3D

Neptune seal (NO)

Field of action of LeghornGroup

-  **PROTECTION:** We can protect your goods and assets with security seals and various products for tamper protection. The company can create bespoke, technical solutions to meet client's requirements.
-  **CONTROL:** We ensure goods and people can be monitored using security products and integrated complete hardware and software solutions that allow the operator to monitor and intervene in real time, even remotely.
-  **IDENTIFICATION:** LeghornGroup's understanding of authentication along with their innovative technical products and solutions allow users to uniquely and securely identify, goods, vehicles, containers, animals and people.
-  **TRACKING:** LeghornGroup's real time GPS tracking devices allow users to monitor location, status and movements of vehicles and people.
-  **RFID SOLUTIONS:** LeghornGroup also manufactures solutions for product authenticity; automatic identification systems using RFID to aid traceability of objects, animals and people, offering new and efficient operations to speed up the supply chain;



Protection - Control - Identification - Tracking - Rfid solutions

www.leghorngroup.in

FINDUS@

info@leghorngroup.com

LeghornGroup Pvt Ltd

No 295/4,8th Cross,4th Phase,Peenya
Industrial Area, Bangalore - 560058

Contact no :

+91 7019186193/9731711294/9538022871

Email id : info@leghorngroup.in

Website : www.leghorngroup.in



LeghornGroup – India
www.leghorngroup.in

LeghornGroup – Italy
www.leghorngroup.it

LeghornGroup – U.S.A.
www.leghorngroup.com

LeghornGroup – Belgium
www.leghorngroup.be
www.leghorngroup.nl

LeghornGroup – Czech Republic
www.leghorngroup.cz
www.leghorngroup.pl

LeghornGroup – Greece
www.leghorngroup.gr

LeghornGroup – Republic of
Moldova
www.leghorngroup.ro

LeghornGroup – España
www.leghorngroup.es

Photos and drawings are indicative